

**II B. Tech II Semester Supplementary Examinations, April - 2021****MACHINE DRAWING**

(Com to ME, AME)

Time: 3 hours

Max. Marks: 70

- 
- Note: 1. Question Paper consists of two parts (**Part-A** and **Part-B**)  
 2. Answer any Two questions in **Part-A** - 10x2 = 20 marks  
 3. Question from **Part-B** is compulsory - 50x1= 50 marks
- ~~~~~

**PART -A**

1. a) Sketch flat saddle key in two views as fitted in position between a shaft and the mounting. Choose shaft diameter as 20mm and hub diameter of mounting as 40mm (5M)
- b) Sketch the following forms of nut with proportions marked taking D = 20mm. (5M)
  - (i) Flanged nut
  - (ii) Dome nut
- 2 Draw (a) half sectional view from the front and top half in section and (b) half sectional view from side, left half in section of a split muff coupling taking diameter of the two shafts as 30mm. (10M)
- 3 Draw (a) half sectional view from the front with left half in section and (b) view from the above of a bushed bearing supporting a shaft of diameter 25mm. (10M)

**PART -B**

2. a) Assemble all parts of the screw jack, shown in Fig. 1 and draw the following views: (50M)
  - (i) Half sectional view from the front, and
  - (ii) View from above.



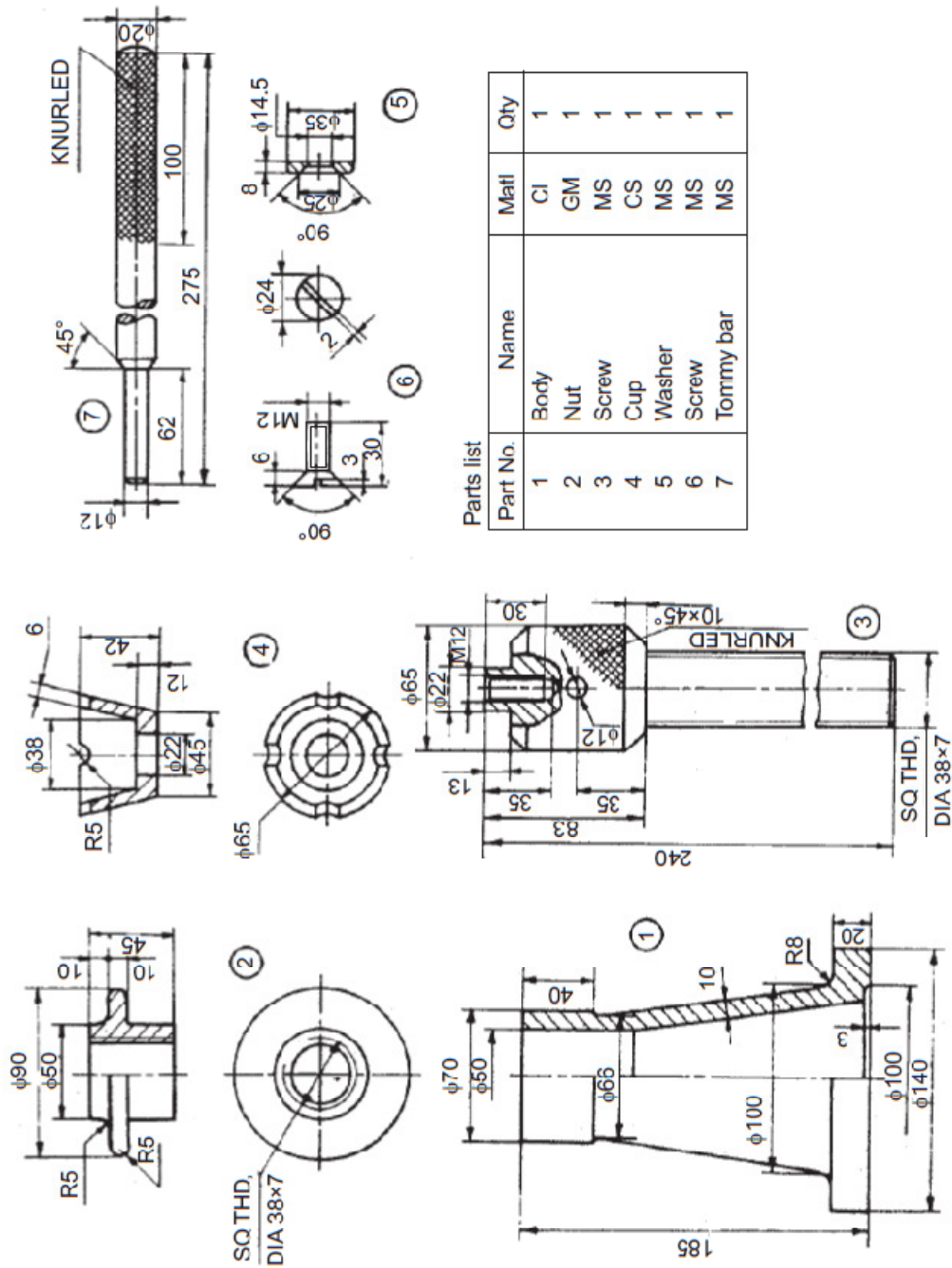


Fig 1 Screw jack

