

**II B. Tech II Semester Supplementary Examinations, February - 2022**  
**AUTOMOBILE ASSEMBLY DRAWING**  
 (Automobile Engineering)

Time: 3 hours

Max. Marks: 75

- Note: 1. Question Paper consists of two parts (**Part-A** and **Part-B**)  
 2. Answer **TWO** question from **Part-A**, **Each 15 Marks**  
 3. **Part-B** is compulsory, **45 Marks**

**PART-A**

- a. Sketch the following thread profiles for a nominal diameter of 20 mm and pitch 2 mm
  - Worm thread
  - ACME thread
- Sketch neatly, giving proportionate dimensions, the eye foundation bolt of diameter 25 mm?
- Sketch the conventional representation of at least four different thread forms.
- Draw the half sectional front view and right side of a bushed pin type flange coupling, indicating proportions to two shafts, each of diameter 30 mm.

**PART-B**

- Assemble the parts of the feed check valve, shown in Fig. 1 and draw, (i) sectional view from the front, (ii) view from the right and (iii) view from above.

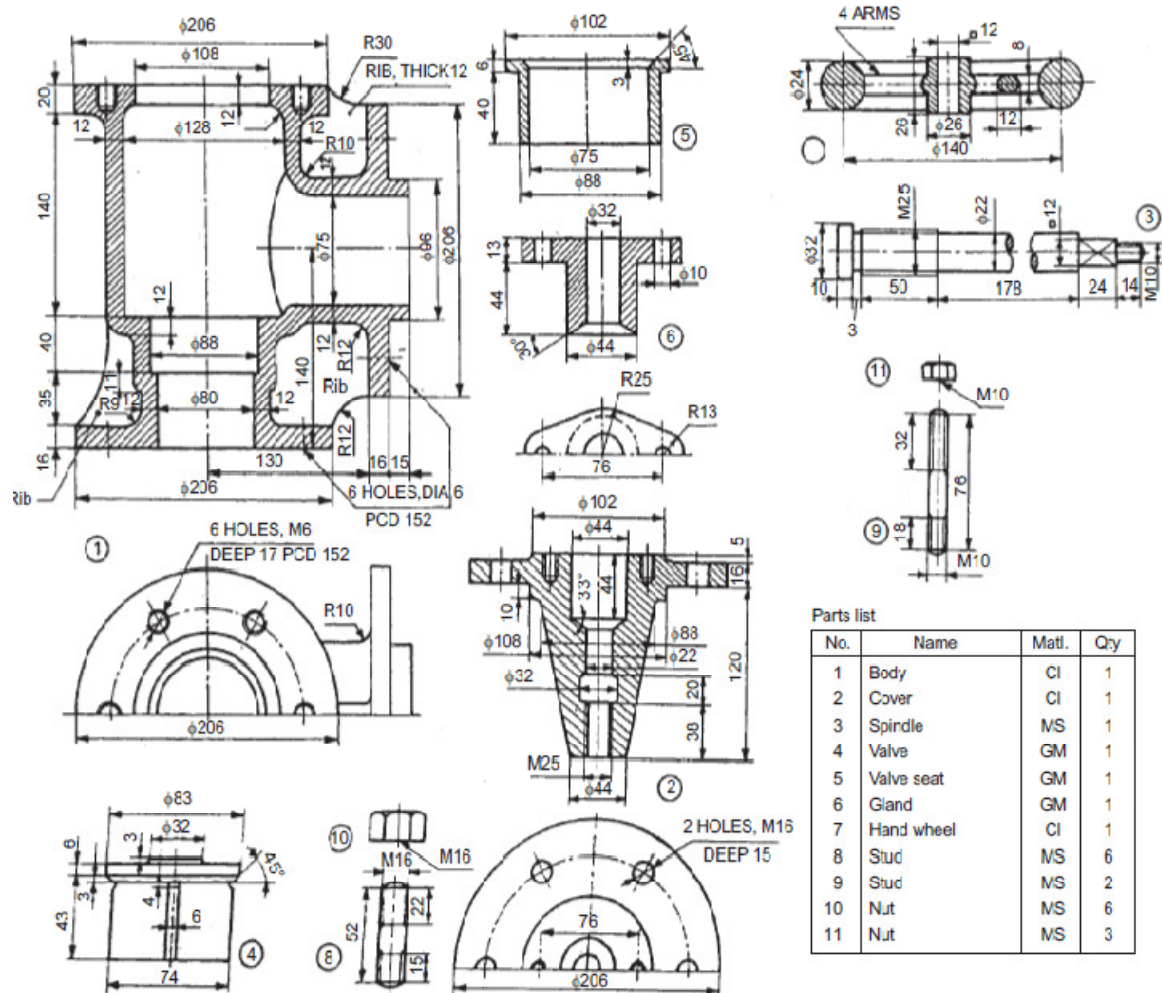


Fig. 1. Feed Check Valve

